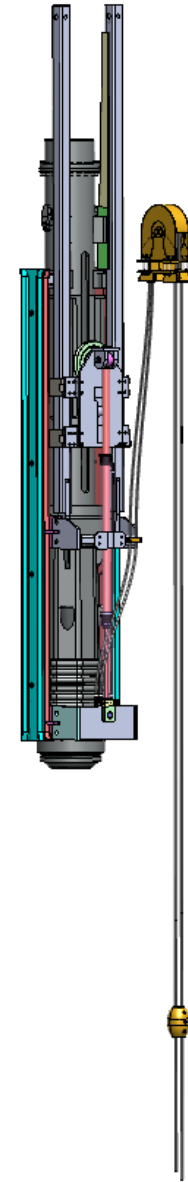
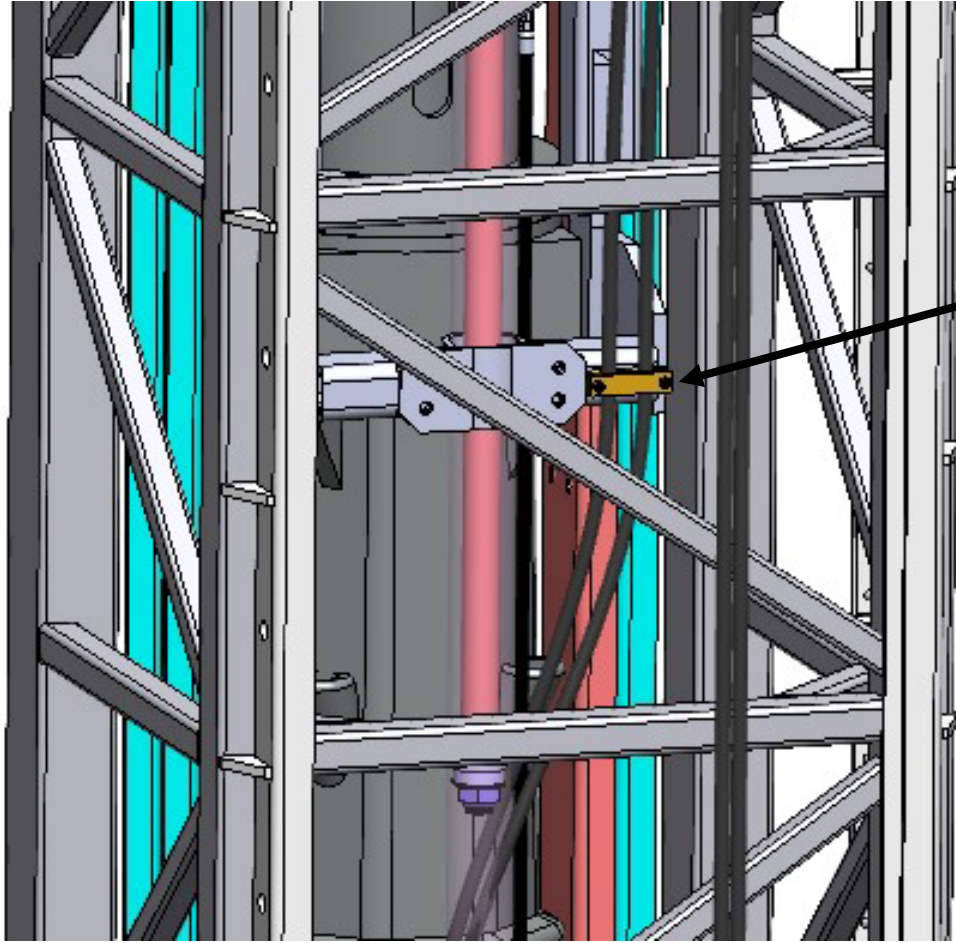
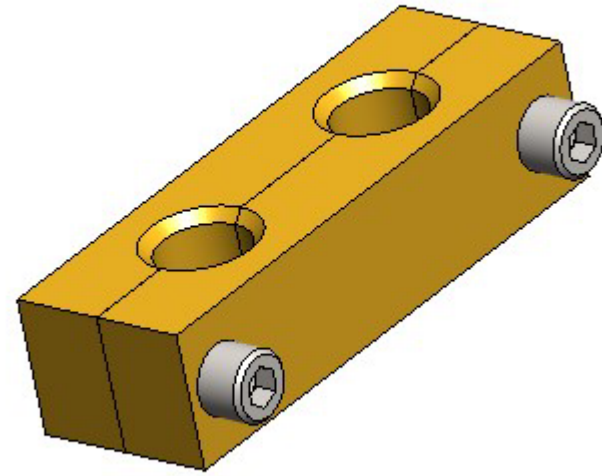


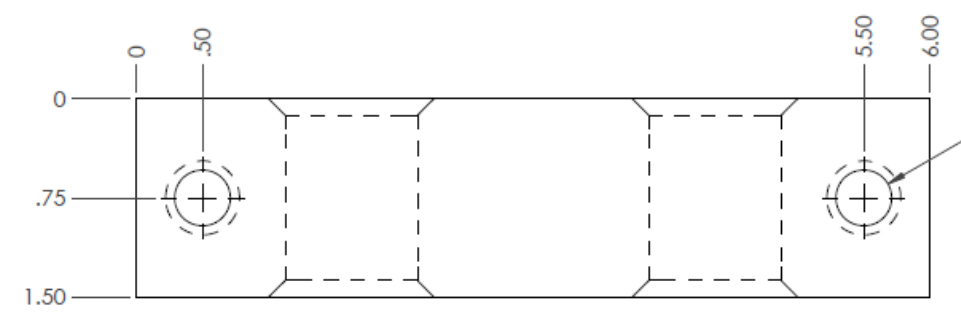
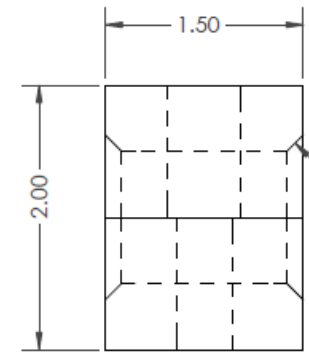
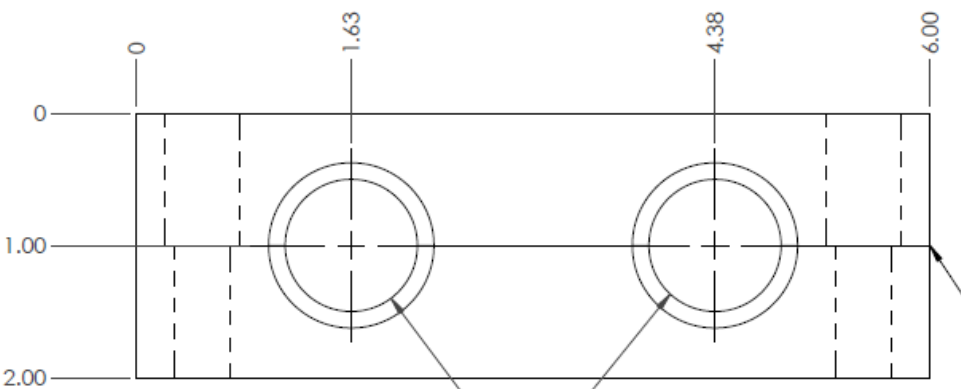
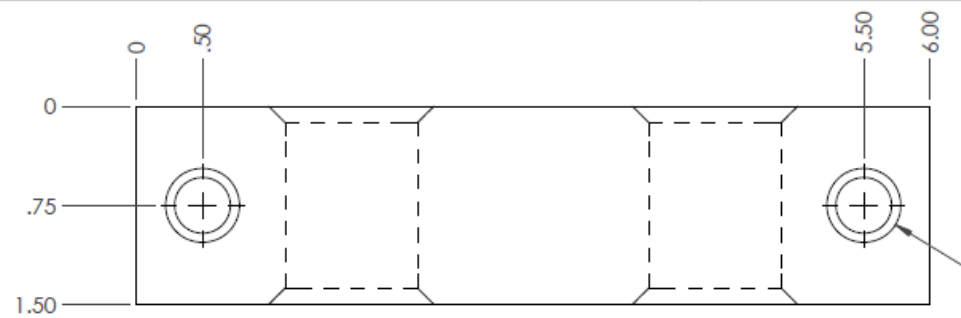
# APE Diesel Hammer Hydraulic Trip Hose Management System





**We start with the hose gang clamp that is welded to the trip cross over tube as seen to the left.**





UNLESS OTHERWISE SPECIFIED:

THIRD ANGLE PROJECTION

NAME	DATE
DRAWN CHEN CZ	9/21/2022
PRINTED ON	9/21/2022
ENG APPR.	
MFG APPR.	
Q.A.	
COMMENTS:	

DIMENSIONS ARE IN INCHES

TOLERANCES:

FRACTIONAL 1/32

ANGULAR: ±25°

X: ±0.02"

DX: ±0.01"

DDX: ±0.005"


WEIGHT IN LBS: 4.19

INTERPRET GEOMETRIC TOLERANCING PER:

MATERIAL: A36

FINISH:

DO NOT SCALE DRAWING

 AMERICAN PILEDRIVING EQUIPMENT 7032 S. 196TH ST KENT WA 98032	
TITLE: HYD HOSE CLAMP (PAIR)	
SIZE <b>B</b>	DWG. NO. 2006646
SCALE: 1:1	WT: 4.19
SHEET 1 OF 1	

**PROPRIETARY AND CONFIDENTIAL**

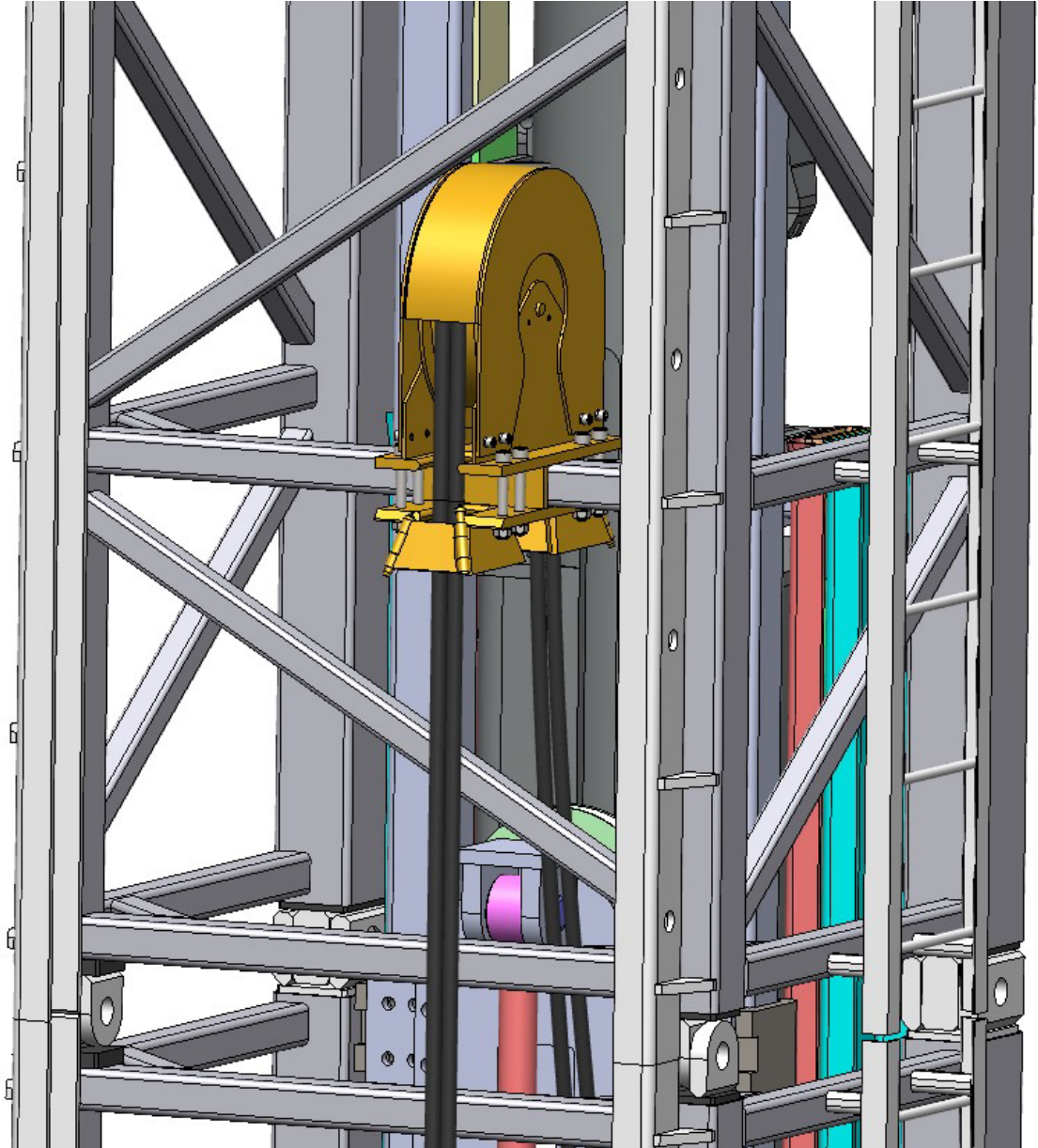
THE INFORMATION CONTAINED IN THIS DRAWING IS THE SOLE PROPERTY OF AMERICAN PILEDRIVING EQUIPMENT. ANY REPRODUCTION IN PART OR AS A WHOLE WITHOUT THE WRITTEN PERMISSION OF AMERICAN PILEDRIVING EQUIPMENT IS PROHIBITED. THE APE PRODUCT LINE IS PROTECTED BY VARIOUS PATENTS. FOR A LIST OF PATENTS, PLEASE VISIT OUR WEBSITE: [www.apedriv.com/ver2/toppedverts.asp](http://www.apedriv.com/ver2/toppedverts.asp)

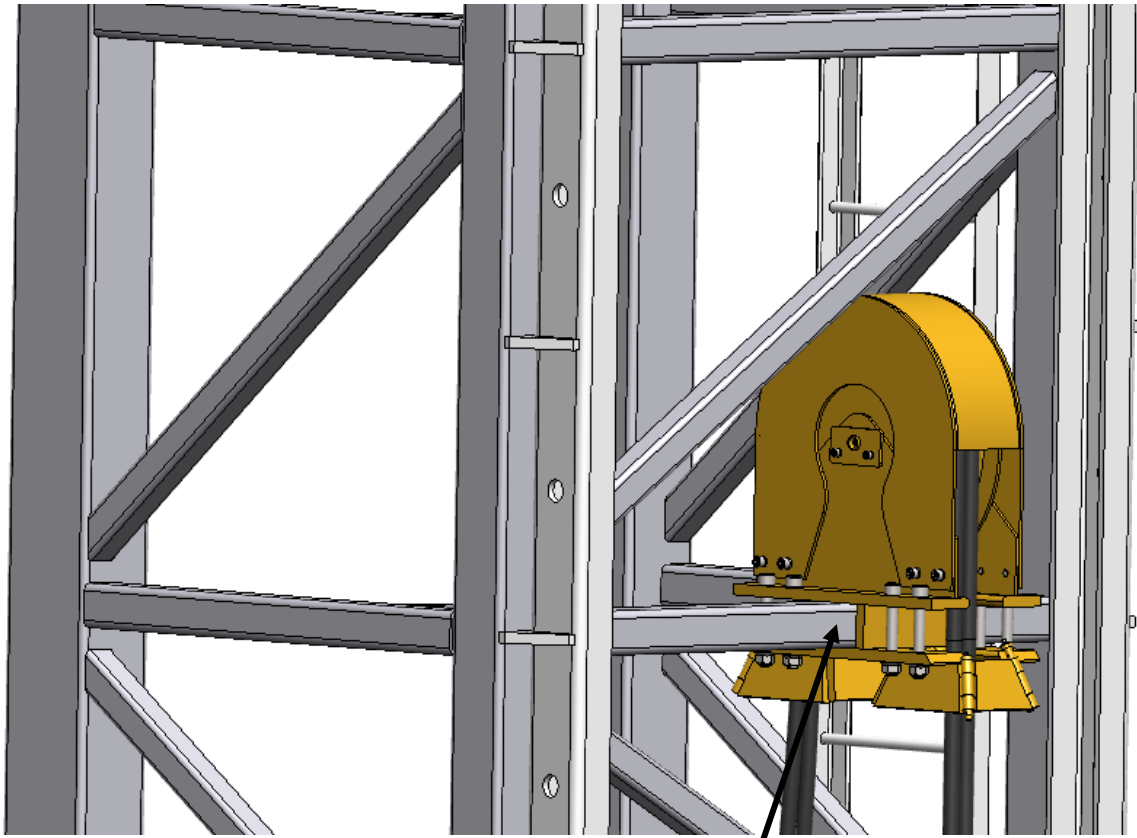
© 2006 AMERICAN PILEDRIVING EQUIPMENT  
 98032 WA 98032

**We add the Hose Roller Assembly.  
Note that this roller assembly can  
mount on the back of the leads as well  
as either side of the leads as needed.**

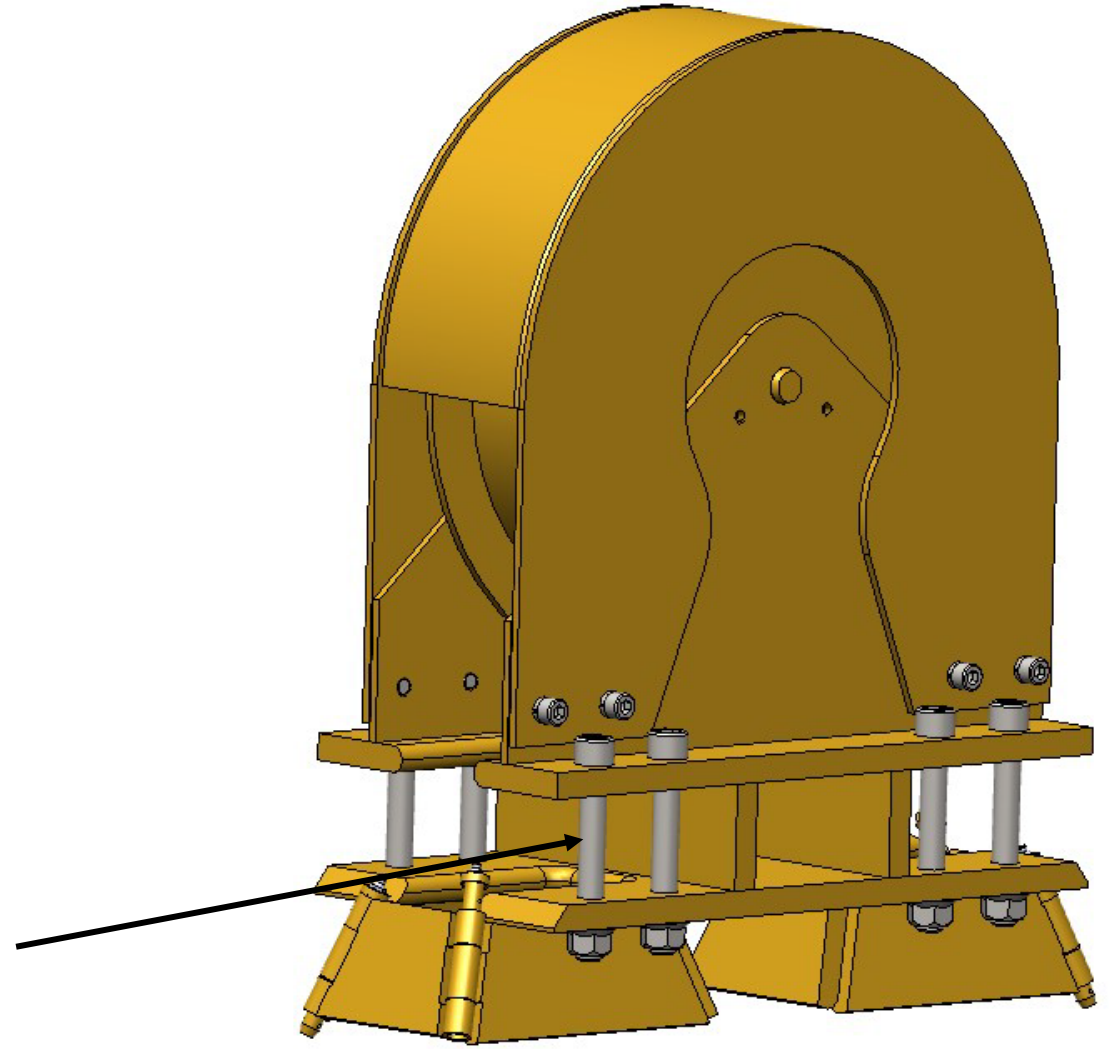
**This will bring the hoses from the  
inside of the leads to the outside of the  
leads, thus keeping the hoses out of  
the way of the way of lofting piles or  
other potential pinch zones.**

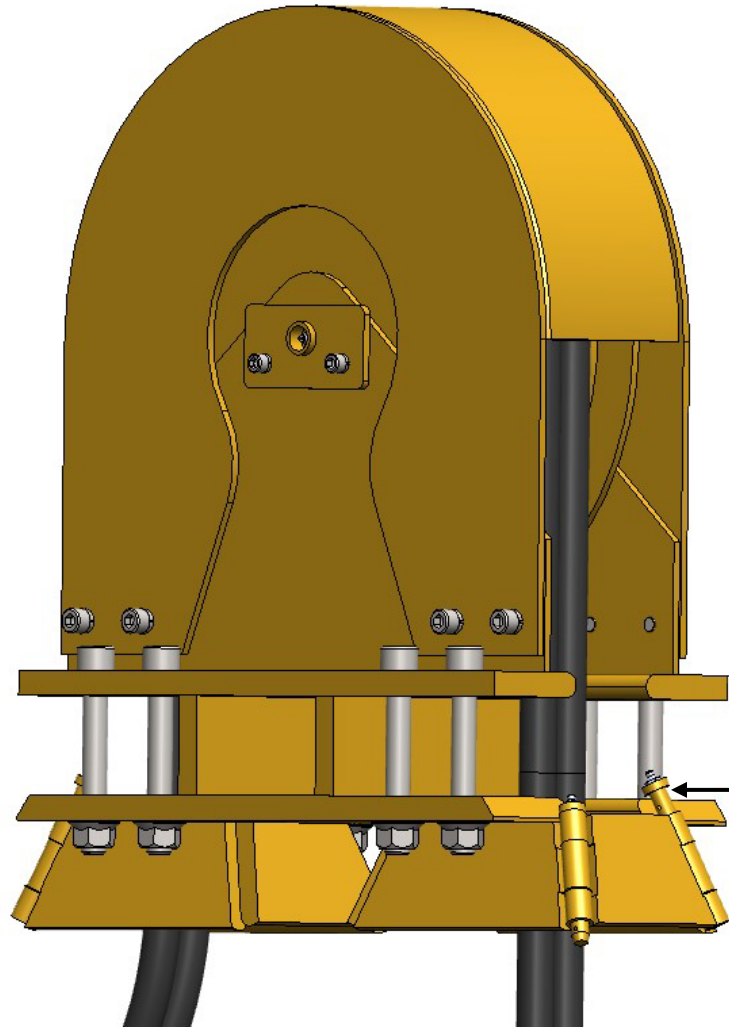
**Note also that this roller assembly  
must be mounted on the leads higher  
than the hammer/ trip as seen to the  
right.**





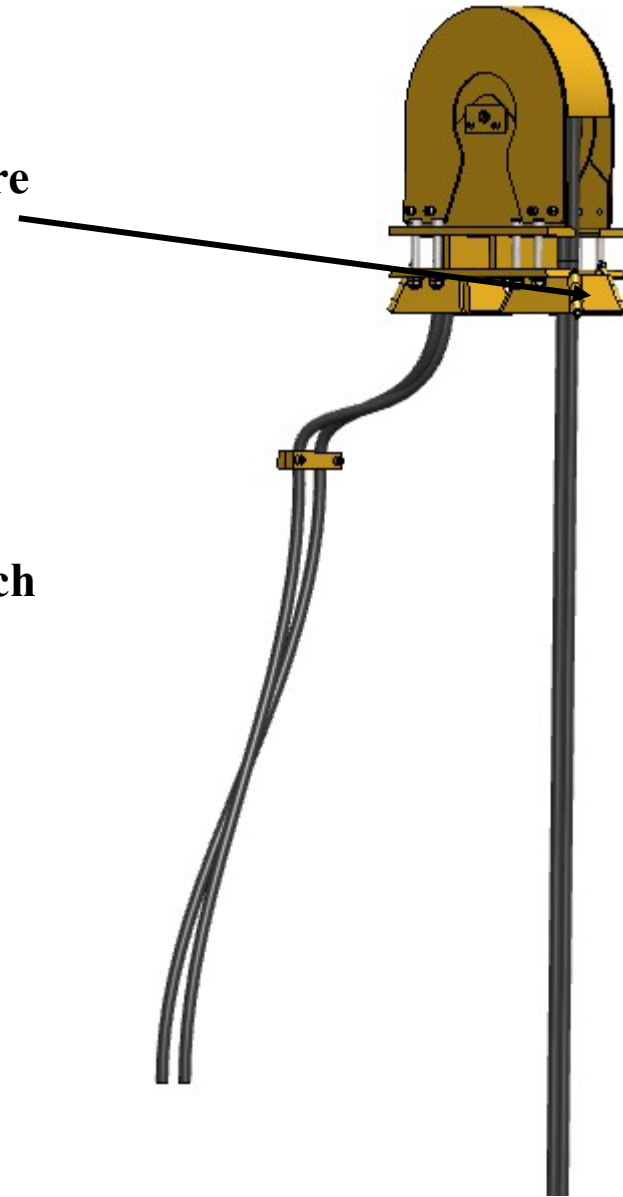
**The Hose Roller Assembly is easily installed by slipping it over the cross member of the leads and sandwiching the lower half under the cross member and tightening the bolts.**



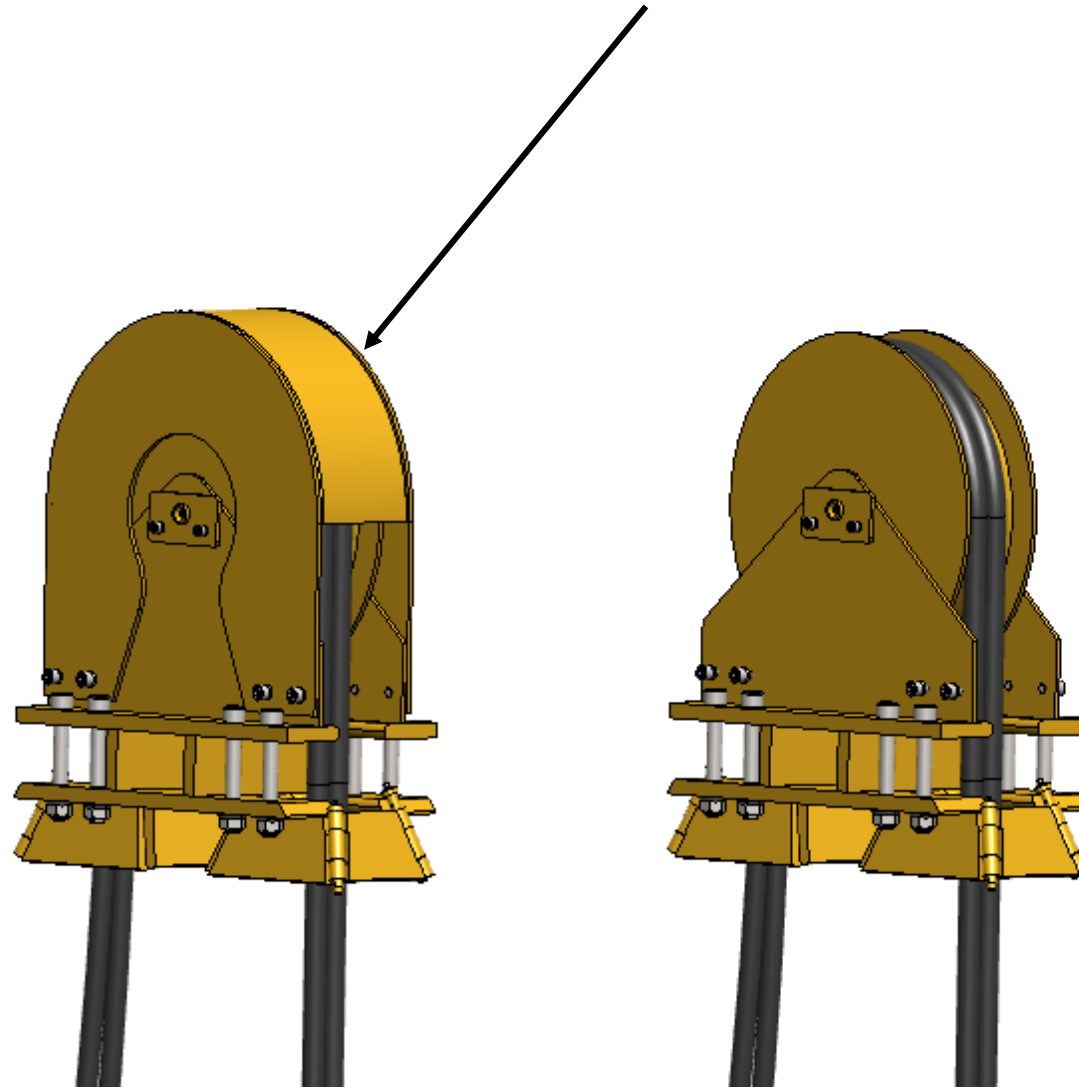


**As seen, the hoses are kept in place by the gated hose chutes.**

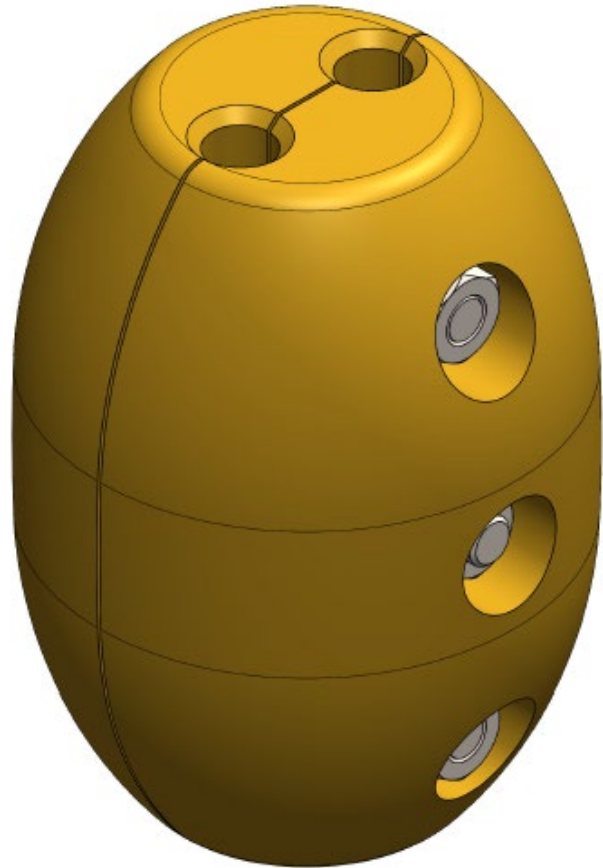
**Note that both the front and back gate hose chutes have removable pins which allows the gate to open to install the hoses.**



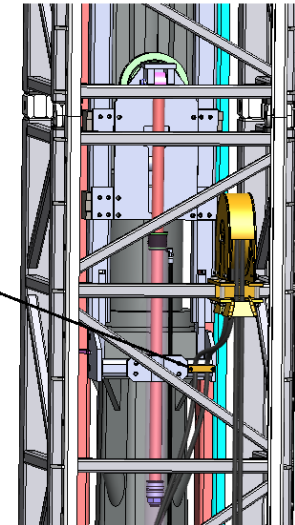
**The Hose Roller Cover can be easily removed to allow the hoses to drape over the roller. The cover can then be re-installed.**



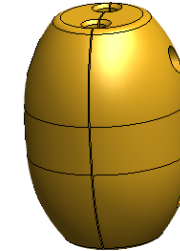
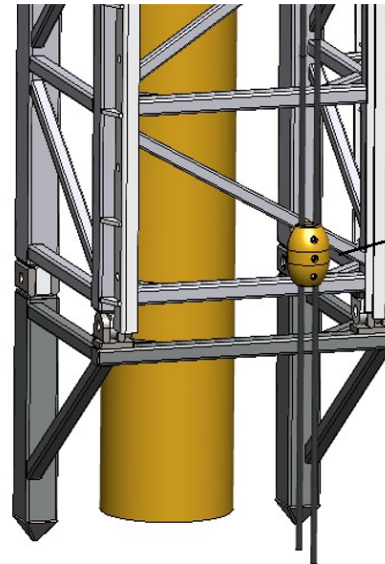
**With this Hose Management application, a counterweight is needed to off-set the weight of the hoses to ensure that as the hammer is raised the hoses overhaul on the opposite side.**



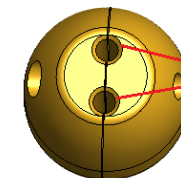
Hose Clamp welded to the cross member



100lb Counter weight Clamp

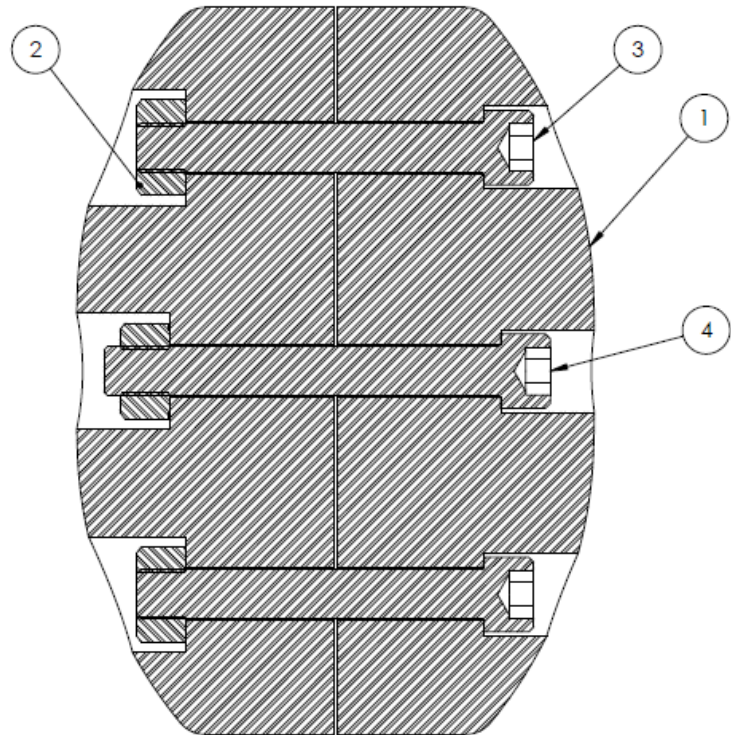
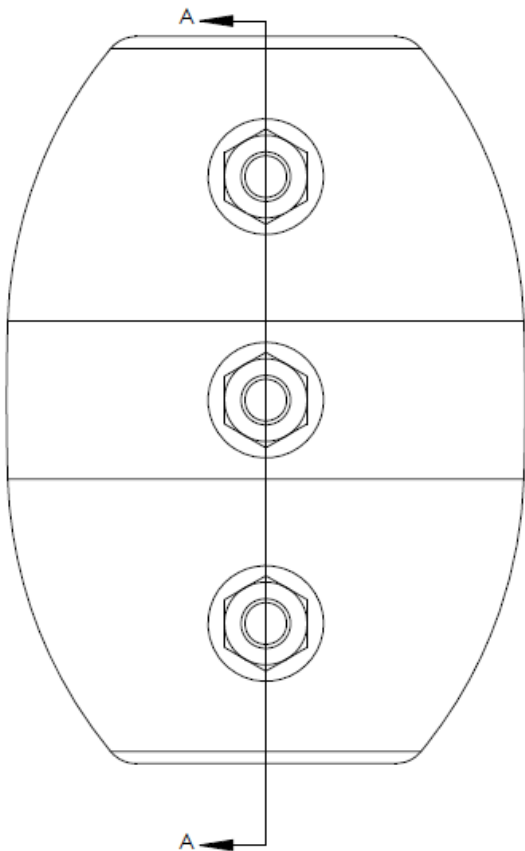
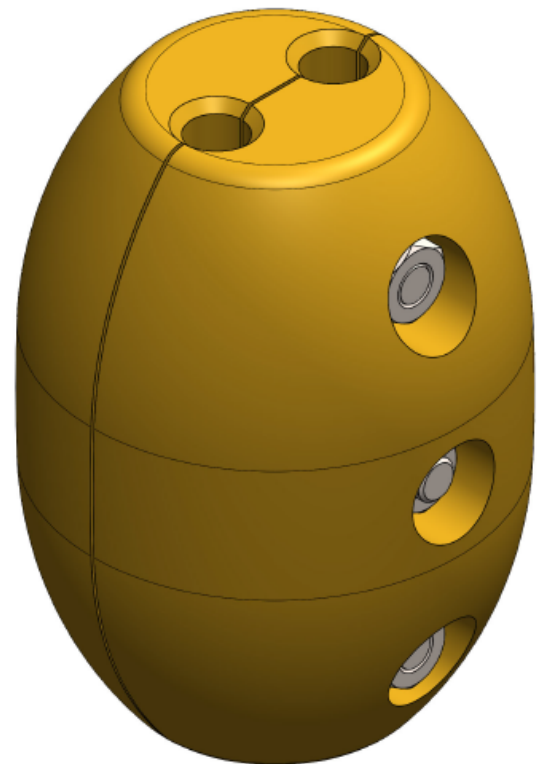


Hydraulic Hoses



Chamfer to keep the hoses from chafing





ITEM NO.	PARTNO	DESCRIPTION	MATERIAL	WEIGHT	QTY.
1	2006647	HYD HOSE CLAMP WEIGHT	A36	107.75	1
2		STOVERNUT 0.7500-10-B-N			3
3		HX-SHCS 0.75-10x5.25x2.25-N			2
4		HX-SHCS 0.75-10x6x2-N			1

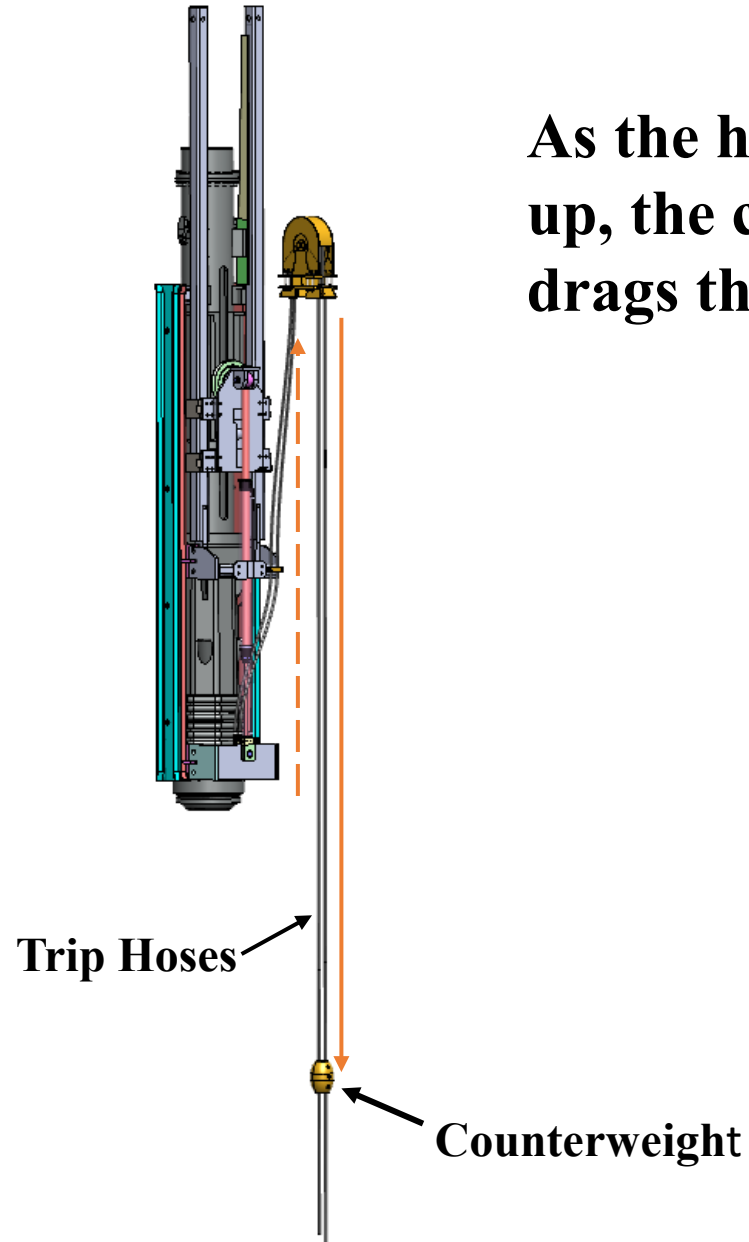
SECTION A-A  
SCALE 1 : 2

**PROPRIETARY AND CONFIDENTIAL**  
 THE INFORMATION CONTAINED IN THIS DRAWING IS THE SOLE PROPERTY OF AMERICAN PILEDRIVING EQUIPMENT. ANY REPRODUCTION IN PART OR AS A WHOLE WITHOUT THE WRITTEN PERMISSION OF AMERICAN PILEDRIVING EQUIPMENT IS PROHIBITED. THE APE PRODUCT LINE IS PROTECTED BY VARIOUS PATENTS. FOR A LIST OF PATENTS, PLEASE VISIT OUR WEBSITE:  
[www.apeweb.com/vw2/toppedwnts.asp](http://www.apeweb.com/vw2/toppedwnts.asp)  
 © 2012 AMERICAN PILEDRIVING EQUIPMENT  
 02/22/2012 User: vch

UNLESS OTHERWISE SPECIFIED:	THIRD ANGLE PERSPECTIVE	NAME	DATE
DIMENSIONS ARE IN INCHES		DRAWN	CHEN CZ 9/21/2022
TOLERANCES:		PRINTED ON	9/22/2022
FRACTIONAL 1/32		ENG APPR.	
ANGULAR ±.25°		MFG APPR.	
XC: ±0.02"		Q.A.	
.DC: ±0.01"		COMMENTS:	
.DD: ±0.005"			
WEIGHT IN LBS: 108.16			
INTERPRET GEOMETRIC TOLERANCING PER:			
MATERIAL:			
FINISH:			
DO NOT SCALE DRAWING			

	AMERICAN PILEDRIVING EQUIPMENT 7032 S. 196TH ST KENT WA 98032	
	TITLE: <b>HYD HOSE CLAMP W/WEIGHT</b>	
SIZE <b>B</b>	DWG. NO. 2006648	REV
SCALE: 1:4	WT: 108.16	SHEET 1 OF 2

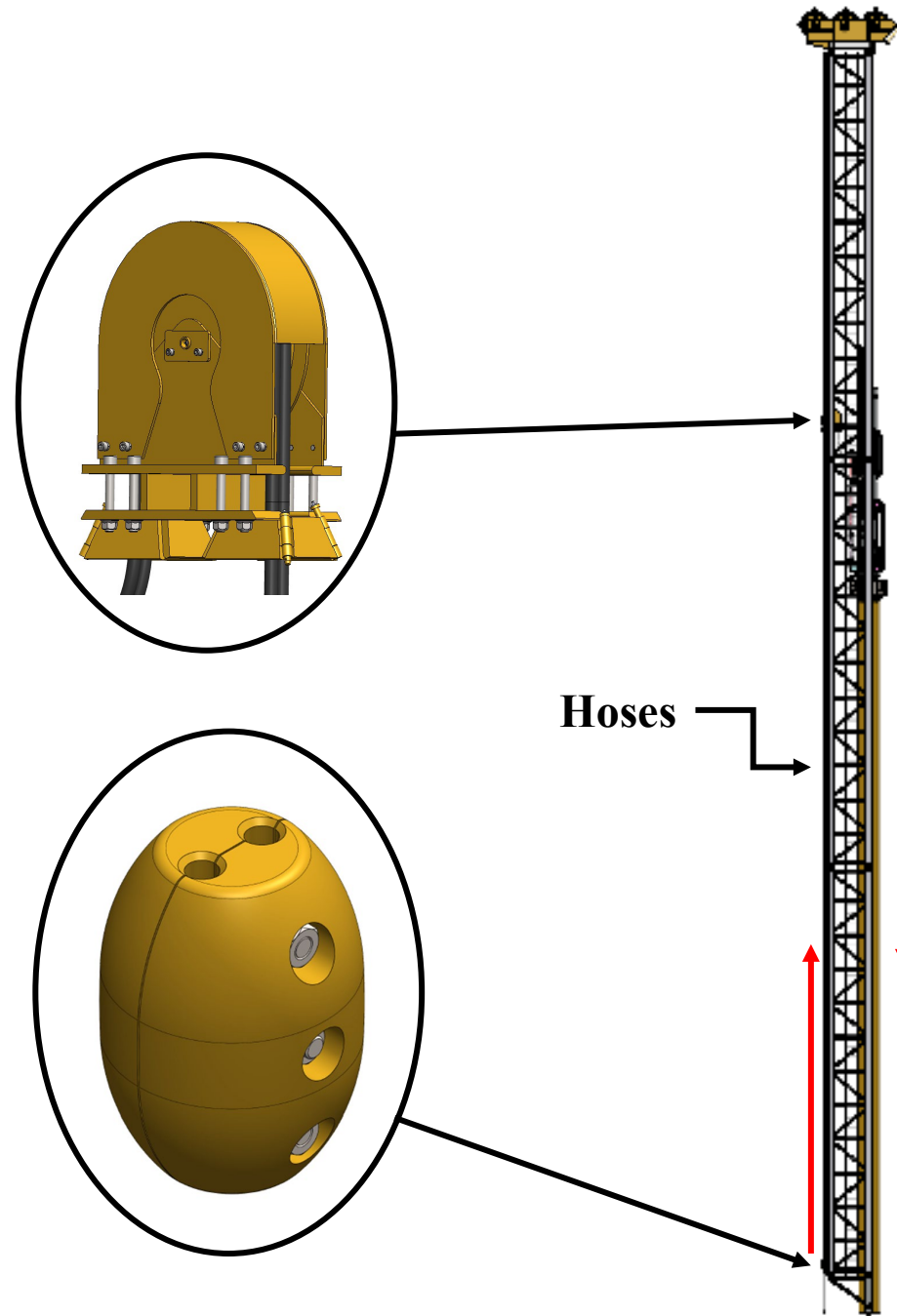
**As the hammer is raised up, the counterweight drags the hoses down.**



**When the hammer is up, on the pile, the counterweight is down at the bottom of the leads.**

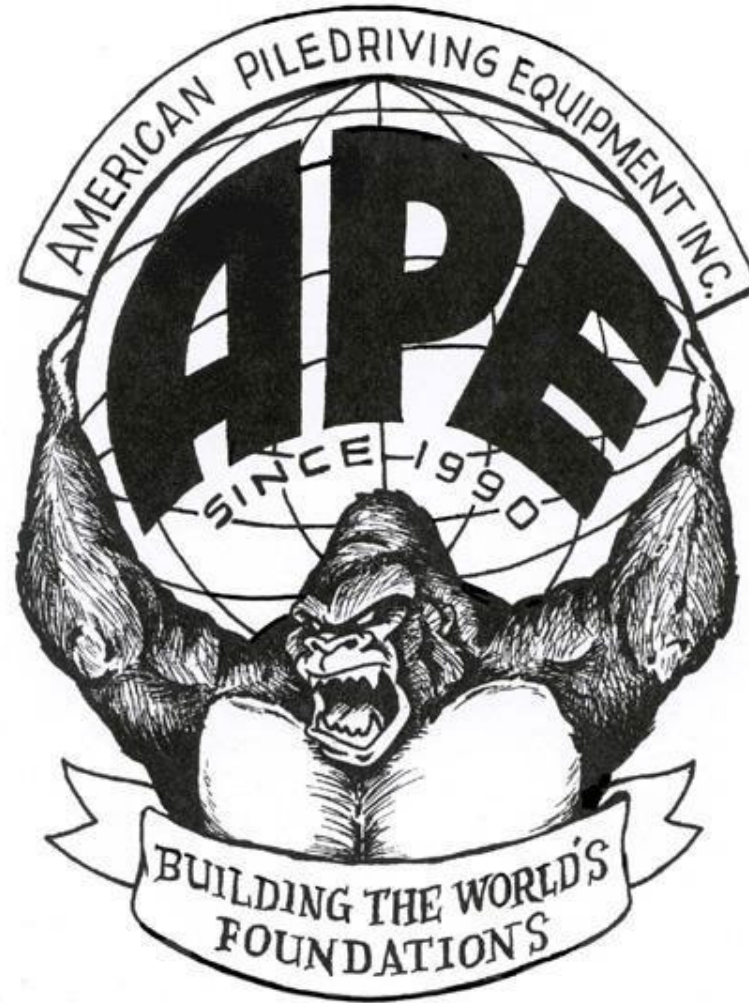
**As the hammer drives the piles the counterweight glides up the back of the leads as the hammer comes down.**

**The hoses roll up and over the Roller Assembly and follow the hammer as needed.**



**The APE hose  
management  
system also  
works good for  
Batter Pile  
operations.**





**Building the worlds foundations one pile at a time!**